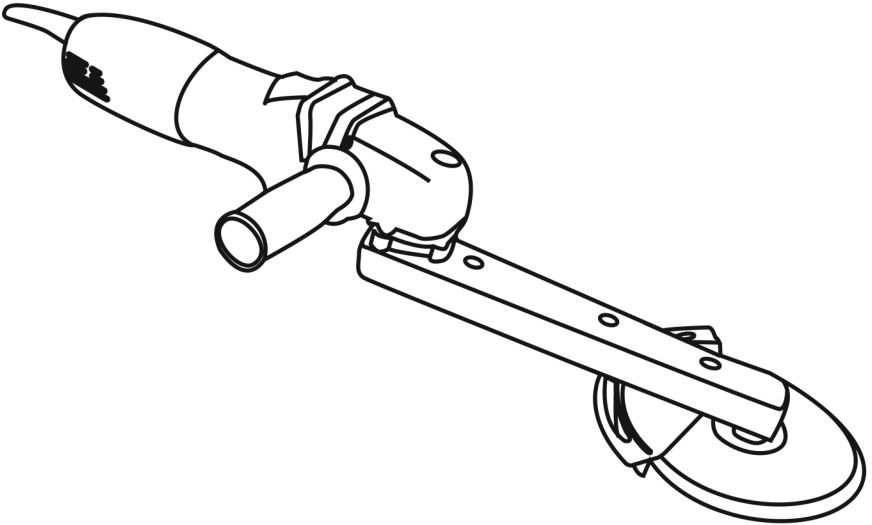




CORNER FILLET WELD VARIABLE SPEED GRINDER/POLISHER

OPERATING MANUAL



HD-6200

Voltage: 110V, 60Hz

Power: 900 Watt

Speed: 900-2800 RPM

APPLICATIONS

Use this tool for weld seams in difficult to reach areas, e.g. within banister rails or square sections. Thanks to its extremely flat aluminum extension arm it reaches into restricted areas with particularly acute angles. The two-level reduced gear ensures you always have optimum material removal capability at hand. Its stainless steel flange and its arm made of aluminum ensure that the stainless steel being processed remains stainless, thus preventing cross contamination. Manufacturer of the tool shall not bear any responsibility for any personal or property damage caused by improper usage. Operator should make himself aware of and follow generally accepted hazard prevention regulations and safety information contained in this manual.

GENERAL SAFETY

Read all safety warnings and instructions. Failure to follow the warnings and/or instructions may result in electrocution, fire hazard and/or serious personal injury. The term POWER TOOL in this manual refers to all corded and cordless power tools.

WORK AREA

- a) Keep the working space well lit, clean and adequate for power tool usage. Inadequate light and clutter work spaces can invite hazards.
- b) Make sure that there aren't any flammable or combustible liquids or gases in the work environment such as lacquer, paint, benzene, thinner, gasoline and adhesive agents. Presence of these materials in the working environment may cause sparks which can result in fire hazard.
- c) Keep children and visitors away from the working area and your power tools and equipment to avoid any accidents.

ELECTRICAL SAFETY

- a) Ensure that outlet is compatible with power tool plug. Do not modify the plug to make it work and never use any adapter plugs with grounded power tools. Compatibility between outlet and plug will minimize the risk of electrocution.
- b) Don't let your body parts get in contact with parts of the power tool including radiators, pipes, ranges and refrigeration enclosures. If your body is earthed or grounded, the risk of electrocution becomes high.
- c) Never expose power tools to rain or water and never store them in damp areas. Moisture entering your power tool will pose increased risk of electrocution.
- d) Never abuse the electrical cord of the tool. Do not pull it to unplug the tool. Keep cord away from heat, oil, sharp corners and moving parts. Entangled or damaged cords increase the chances of electrocution hazard.
- e) When working outdoors, you may need extension cords to increase your tool's reach. In such situations, only use cords made and marked for outdoor usage.
- f) If you must operate a power tool in wet or damp work area, use a Ground Fault Circuit Interrupter (GFCI) protected power supply. It will decrease the risk of electrocution.

PERSONAL SAFETY

- a) Be on the alert during power tool operation and always know what you are doing. Never use a power tool under the influence of drugs, medication or alcohol. Momentary lack of focus can invite serious hazards when operating power tools.
- b) Always use appropriate personal protective equipment. Use eye protection, dust mask, non skid safety shoes, hard hat and/or hearing protection when conditions warrant them. This will significantly reduce the risk of personal injury.
- c) Never roam around with the tool plugged in and your finger on the trigger to avoid accidental starts. Switch it off after every use. Before picking up or connecting your tool to a power source, ensure it is turned off.
- d) Make it a habit to check and remove any wrenches or keys from the tool before turning it on. Mounted key or wrench can cause serious damage.
- e) Never try to overreach. Keep your posture comfortable and balanced at all times so you can manage unexpected situations.
- f) Keep loose clothing, body parts and hair away from the business parts of the tool. It's recommended to use protective hair covering. Lose all the accessories including jewelry before operating the tool.
- g) If there are devices provided for dust extraction and collection, make sure they are properly connected and functional. Use of dust collection systems can decrease the risk of dust related hazards.

POWER TOOL SAFETY & CARE

- a) Don't try to extract additional performance from the tool by exerting force. Let the power tool achieve its optimal performance naturally. Always use the power tool that is appropriately powerful and adequate for the job at hand.
- b) Never use the tool if its switch doesn't work. Get it repaired or replaced from an authorized service center. Unreliable switch can prove to be dangerous.
- c) Before storing the tool, making any replacements or periodical maintenance, unplug the tool from the power source. This minimizes the risk of accidental starts.
- d) Power tools that are not in use shall be kept in a safe place where they are not accessible to children. Never allow any person to operate a power tool who is unfamiliar with these instructions. Power tools in the hands of untrained operators are open invitation to accidents.
- e) Check your tool for alignment and binding of moving parts, damaged parts, mounting and any other flaws that might affect the operation of your tool. Maintain your tools with care and repair or replace when necessary by an authorized service center or a qualified power tool repair technician.
- f) Always use the power tool and its accessories according to the instructions provided in this manual, nature of your job and working conditions. Using a power tool that's not compatible with any of the aforementioned criteria may result in a hazard.

TECHNICAL SAFETY

- a) Always hold power tool by insulated grips.
- b) Cutting off a live wire may turn exposed metal parts into electrical conductors increasing the risk of electrocution.
- c) Sanding metal produces flying sparks, ensure all the safety measures such as wearing protective gear, keeping bystanders away from the business area and keeping the environment free from inflammable and combustible substances.
- d) During machining, especially of metals, conductive dust may form deposits inside the tool which may lead electricity to move to the tool housing again increasing the electrocution hazard. To be safe, blow compressed air through the ventilation slots periodically.
- e) Hold the tool firmly at all times.
- f) Before plugging in the tool, please ensure that tool voltage and frequency matches with your power supply.

Hardin recommends the operators to use a stationary extractor system and connect a residual current circuit breaker upstream. When the tool is shut down through a circuit breaker, it needs to be inspected and properly cleaned. See later part of this catalog for more details on cleaning the motor. Dust produced by some materials such as paint containing lead, specific woods, minerals and metals may be hazardous. Getting in physical contact with such dust or inhaling it can result in allergic reactions and/or respiratory issues to the tool operator or bystanders.

Certain types of dusts are classified as carcinogenic (causing cancer) including oak and beech dust especially when it is mixed with wood conditioning additives (chromate, wood preservative). Materials that contain asbestos must only be handled by trained specialists.

- Wherever possible, use an adequate dust extraction system.
- Work area should be well ventilated.
- It is recommended by Hardin to use a NIOSH approved dust mask.
- Operator shall learn and follow the national requirements for the materials he intends to work with.
- Any material that produces hazardous dust or vapor must not be processed.
- Wear ear protection to prevent hearing loss.
- Wear protective gloves.
- Always use eye protection.
- Ensure the workpiece is held firmly and can't slip by using some kind of clamping equipment.
- Always guide the tool using both hands as loss of control can result in personal injury.
- Never place any of your body parts close to the rotating parts of the tool.
- Unplug the tool before removing sanding dust and/or debris.
- Before making any adjustments, servicing and/or replacements, make sure the tool is unplugged and switched off.

SPECIFICATIONS

Voltage: 110 Volts

Frequency: 60Hz

Power: 900W

No Load Speed: 900-2800 RPM

Gross Weight to Net Weight: 9.5 / 7.3 lbs.

OPERATION

Use on/off switch for continuous activation

Always guide the tool using both hands.

Do not allow the tool to draw in additional dust and shavings. When switching on or off the tool, keep it away from dust deposits.

Once you switch the tool off, do not put it down until the motor comes to a complete halt.

During continuous operation, tool continues to run if it is forced out of your hands. That's why you must always hold the machine using the grips provided standing in a safe and balanced position.

Switching On/Continuous Activation: Push sliding switch (1) forward. For Continuous Activation, tilt downwards until it engages.

Switching Off: Press the rear end of the slide switch (1) and release.

CLEANING & MAINTENANCE

Motor Cleaning: Unplug the tool before blowing compressed air thoroughly through the rear ventilation slots of the tool periodically. While blowing off the dust, hold the tool firmly in your hands or use a clamp.

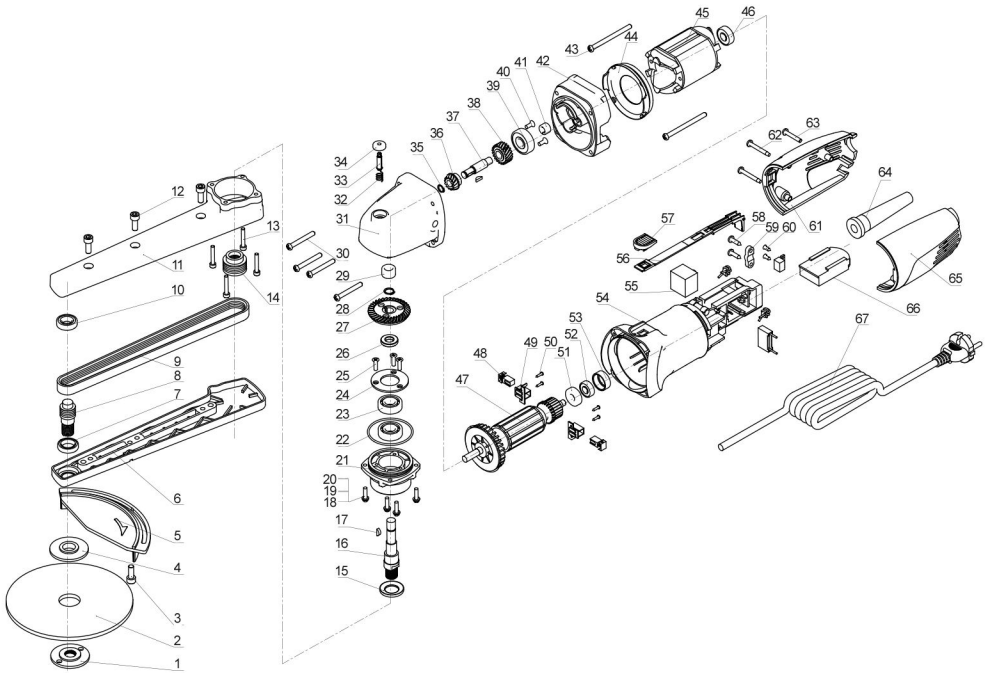
CALIFORNIA PROPOSITION 65

Some dust produced by power polishing, sawing, grinding, drilling, and other construction activities contains chemicals known (to the State of California) to cause cancer, birth defects or other reproductive harm. Some examples of these chemicals are:

- Lead, from lead based paints
- Crystalline silica, from bricks and cement and other masonry products
- Arsenic and chromium, from chemically treated lumber

Your risk from these exposures varies depending on how often you do this type of work. To reduce your exposure to these chemicals, work in a well ventilated area and work with approved safety equipment, such as those dust masks that are specifically designed to filter out microscopic particles.

Schematic & Parts List



Part#	Description	Qty.	Part#	Description	Qty.	Part#	Description	Qty.
1	Flange(up)	1	26	Flat Washer	1	51	Magnet Ring	1
2	Polishing Disc	1	27	Gear (Big)	1	52	Bearing	1
3	Screws	1	28	Clamp Spring	1	53	Bearing Housing	1
4	Flange (down)	1	29	Needle Roller	1	54	Housing	1
5	Dust Shroud	1	30	Screws	4	55	Switch	1
6	Cap of Aluminum	1	31	Head Cap	1	56	Push Stick	1
7	Shaft	1	32	Locking Spring	1	57	Push Button	1
8	Bearing	1	33	Locking Shaft	1	58	Screws	2
9	Running Roller	1	34	Locking Spring	1	59	Cable Press Plate	1
10	Drive Belt	1	35	Clamp Spring	4	60	Screws	2
11	Bearing	1	36	Bevel Gear	1	61	Rear Cover (Right)	1
12	Aluminum Shaft	1	37	Shaft (Small)	1	62	Screws	2
13	Screws	3	38	Cylinder Gear	1	63	Screws	1
14	Screws	4	39	Bearing	1	64	Boot	1
15	Belt Wheel	1	40	Screws	2	65	Rear Cover (Left)	1
16	Dust Cap	1	41	Roller	1	66	Speed Control Switch	1
17	Output Shaft	1	42	Middle Cover	1	67	Power Cord	1
18	Woodruff Key	2	43	Screws	2			
19	Screws	4	44	Windshield	1			
20	Washer	4	45	Stator	1			
21	Cushion	4	46	Bearing	1			
22	Front Cover	1	47	Rotor	1			
23	O-Ring	1	48	Carbon Brush	2			
24	Bearing	2	49	Carbon Brush	2			
25	Bearing Plate	1	50	Holder	1			
25	Screws	3	50	Screws	4			